



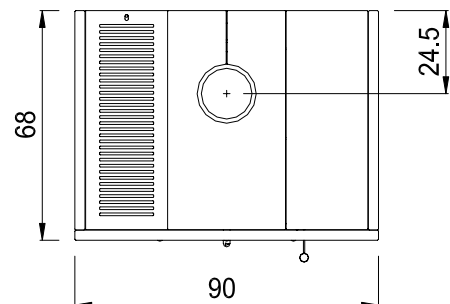
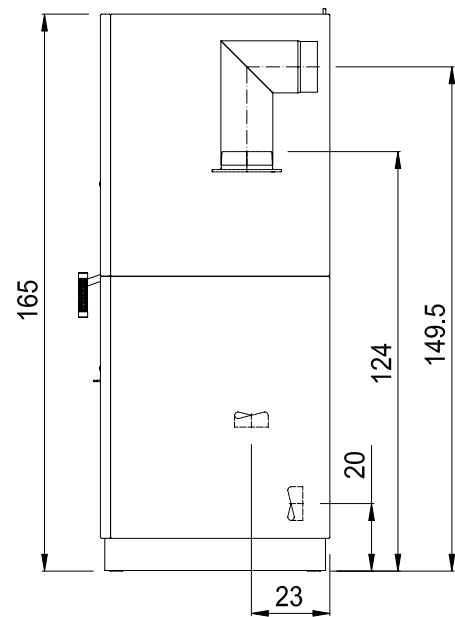
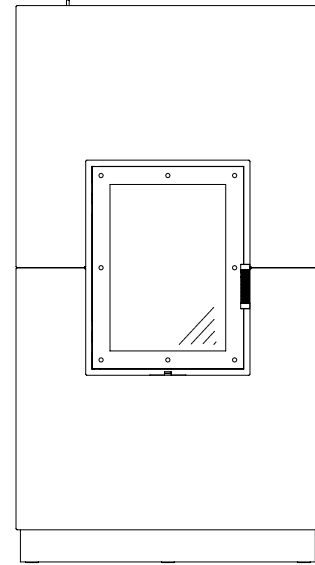
**MAX BLANK**  
HIGH QUALITY

# CHUR

wood or pellet  
without electricity

## Technical specifications of the system fireplace:

measurements (cm)	width	height	depth
stove	90	165	68
combustion chamber	34	31	35
fire glass	34	49	
fire door	45	60	
<b>flue pipe connection Ø 15 to → or ↑</b>			
height to mid pipe rear socket			149,5
height to pipe socket above			124
<b>outside air connection Ø 10 to → or ↓</b>			
height to mid connection horizontal			20
depth to mid connection vertical			23
<b>total weight</b>	<b>chamotte bricks</b>	<b>heat accumulator</b>	
558 kg	60 kg	150 / 160 kg	
<b>data for</b>	<b>pellet box</b>	<b>wood</b>	
nominal heat output	8,7 kW	7,5 kW	
output range	8,7 - 6,7 kW	7,8 - 4,3 kW	
efficiency	83%	83%	
heating capability*	70 - 350 m <sup>3</sup>	70 - 350 m <sup>3</sup>	
amount of fuel	7,5 kg	2,2 kg / h	
fire duration	up to 5 h	up to 5 h	
heat release	up to 16 h	up to 18 h	
flue gas flow volume	9,71 g/s	6,8 g/s	
exhaust °C (nozzle)	280 °C	280°C	
min/max feed press.	12 / 15 Pa	12 / 15 Pa	
CO (13%/O <sub>2</sub> ) [mg/m <sup>3</sup> ]	1073	806	
CO (13%/O <sub>2</sub> ) [%]	0,086	0,065	
dust (13%/O <sub>2</sub> ) [mg/m <sup>3</sup> ]	22	32	
NOx (13%/O <sub>2</sub> ) [mg/m <sup>3</sup> ]	73	116	
CxHy (13%/O <sub>2</sub> ) [mg/m <sup>3</sup> ]	64	27	
wall distance, rear	15 cm	4 cm	
wall distance, side	15 cm	2,5 cm	
distance to the front	100 cm	100 cm	



Fulfils the latest standards in burning wood, wood-briquettes and pellets (please see applicable standards).

**Please check the instruction manual for this wood & pellet burning stove.**

Suitable for multiple chimneys.

\* depending on stove location in the living area, room isolation, height of the room and amount of fuel

Subject to alterations; errors including printer's errors.

**Our specialised stove builders and retailers will assist you with practical advice.**

## System-fireplace, model Chur

ENR	model	delivery time	
	<b>Chur ↑ →</b> <ul style="list-style-type: none"> <li>• large glass door</li> <li>• top stones made of smooth slate</li> <li>• steel rear wall anthracite</li> <li>• side walls optionally</li> <li>- natural heat accumulating stone, cream smooth OR brushed slate</li> <li>• large, exquisite and handmade natural stone front available in:</li> </ul>		
236-2001	- cream nature	6	
236-2101	- cream hewed	6	
236-2301	- slate black rustic	6	
<b>Pellet accessories for the system-fireplace</b>			
551-2004	<b>pellet box with 8,7 kW (at purchase with a stove)</b> <b>pellet box with 8,7 kW (at purchase without stove)</b> <ul style="list-style-type: none"> <li>• made of heat-resistant stainless steel</li> <li>• with 3 black ceramic specialised glasses</li> <li>• with lighter, silicone gloves, pellet-felt bag up to 20 kg, cleaning brushes, pellet shovel provided</li> </ul>		
303235-916	On request, an energy saving option is available with: - indirect additionally heated heat-accumulating-element (top)		
303236-916	- indirect additionally heated heat-accumulating-element (left and right - larger heat-accumulating capability)		
	For other connection accessories, please see list of accessories.		
<b>special features of the system-fireplace, model Chur</b>			
<p>Heat without electrical power and use all advantages of this double feature oven: pellet and wood.            Simple and very easy swap between wood or pellet within a minute.            Discover the special features of our fire-combo-romantic on YouTube.            Free to choose fuel makes you more independent.            Get whatever is cheapest at the moment and save money.</p> <p><b>The system-fireplace, model Chur</b></p> <ul style="list-style-type: none"> <li>• quick assembling within 1/2 day for 2 people</li> <li>• no dirt or dust during construction</li> <li>• no filling, no glue, no cementing</li> <li>• saves heat the natural way</li> <li>• dispenses heat on a large surface spread over 4 sides</li> <li>• sustainable through natural materials</li> <li>• degradable and movable without damaging the fire place</li> <li>• comfortable and self-closing fire door</li> <li>• fire technology without high-maintenance dust filters</li> <li>• optional a heat-accumulating-add-on (for up to 16 hrs)</li> </ul> <p style="text-align: center;"><b>Please also look up the features of the natural stone collection!</b></p>			