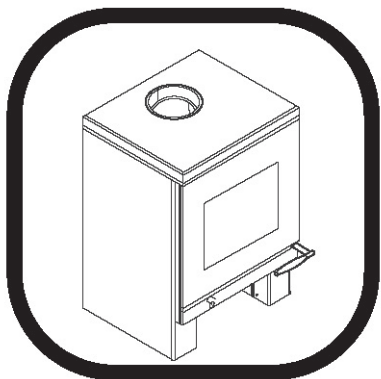


hergom

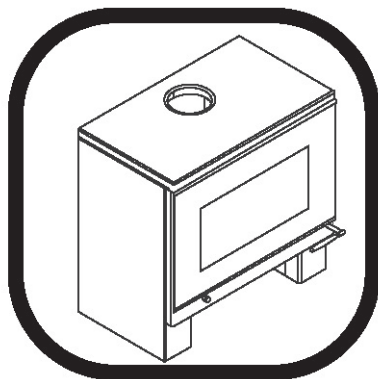
FRAMA

USER MANUAL

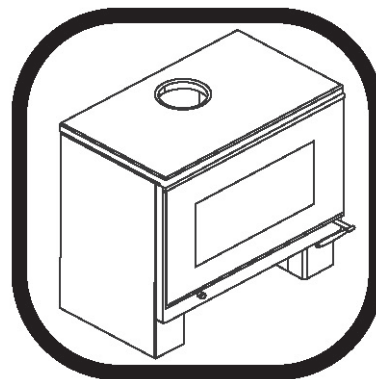
FRAMA SERIES MODELS: S-M-L



FRAMA **S**



FRAMA **M**



FRAMA **L**

This manual contains instructions for the Installation, Operation and Maintenance of your stove.

Please read this manual carefully before installing and lighting your heater. Keep this manual as it may be useful for future reference.

Always follow the instructions contained in this manual.

TABLA DE CONTENIDOS

1. - Introduction

Welcome.	21
Important Use and Safety Instructions.	22
Key Components and Operational Diagram.	22

Important Information.	34
Recommendations.	34
Precautions.	35

2. - Install your Hergóm Frama Stove correctly

Select the correct place to install your Hergóm Frama Stove.	24
Ensure the installation has been performed correctly.	

3. - Operate your Hergóm Frama Stove correctly.

Select the appropriate type of wood.	24
Know what type of wood to buy.	25
Check that the wood is dry before using it.	25
Lighting the stove.	25
Load wood into the stove.	26
Putting out the fire in the stove.	27

4. - Trouble-shooting and Correct Maintenance of your Hergóm Frama.

Type of maintenance required by your Hergóm Frama Stove.	27-28
Why is smoke coming out of my stove?	29
Technical specifications.	30
Stove component (Frama S model)	31
Stove component (Frama M model)	32
Stove component (Frama L model)	33

1. INTRODUCTION

Welcome to the Hergóm family.

We would like to thank you for choosing our Hergóm Frama Range Stove, which represents, in technique and style, a significant improvement on typical log and coal stoves.

Hergóm Frama S, M and L Stoves are perhaps the most advanced solid fuel heating systems available today. Owning a Hergóm Frama Range Stove displays an exceptional sense of quality.

Please, read this manual in full. Its purpose is to familiarise users with the device by explaining extremely useful installation, operational and maintenance instructions. Keep this manual at hand for future reference whenever necessary.

IMPORTANT

If the stove is not installed correctly, it will not provide the excellent service for which it has been designed. Please, read these instructions in full and trust the work to a specialist.

Some parts of your stove are coated in a special protective enamel paint to resist high temperatures.

When lighting for the first few times, it may emit some fumes. This is normal and is due to the evaporation of certain components of the paint while it adapts to the heat. We, therefore, recommend ventilating the room until this phenomenon ceases to appear.

INDUSTRIAS HERGÓM S.A. may not be held liable for any damage caused due to alterations made to its product that have not been approved in writing or due to defective installation procedures. Furthermore, it reserves the right to change its products without prior warning.

Industrias Hergóm, S.A. domiciled in Soto de la Marina - Cantabria - Spain, offers a **TWO YEAR** warranty on its products.

The geographical coverage of this warranty only includes the countries in which Industrias Hergóm, S.A., a subsidiary company or an official importer distribute its products and where Community Directive 1999/44/CE is in force.

The warranty comes into force on the purchase date of the product as indicated on the warranty document and only covers damage or breakages due to manufacturing defects.

Important Use and Safety Instructions

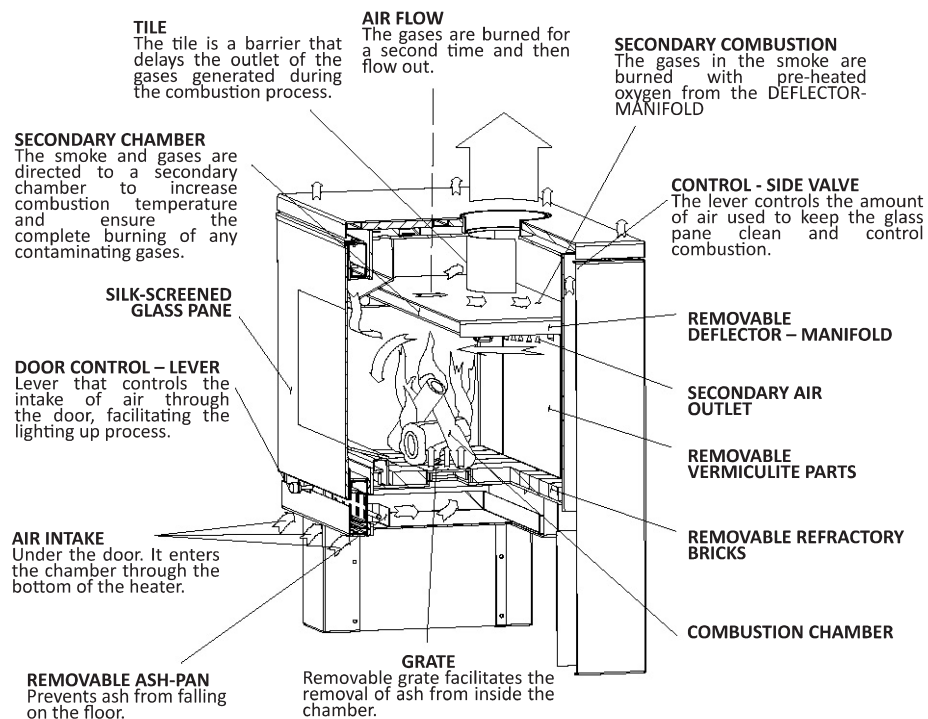
To enjoy maximum safety, optimal consumption and high yield from your Hergóm Frama Range Stove, it is very important that you read this manual carefully, as it provides the following information.

How to install your Hergóm Frama Stove correctly?

How to operate your Hergóm Frama Stove correctly?

Trouble-shooting and Correct Maintenance of your Hergóm Frama Stove.

Main Components and Operational Diagram



2. - Install your Hergóm Stove correctly

Select the correct place to install your stove

All local regulations, including those that refer to national and European standards, must be fulfilled when installing the device.

Stoves must be installed in an appropriate place, respecting all safety measures.

1. It is important to install your stove in a place that provides the necessary air flow of air. This will enable allow the hot air produced by the stove to reach the other rooms more easily.

2. Do not install the stove near walls built of easily flammable materials. In addition, take the presence of curtains and carpets into consideration. In these cases, respect the minimum distances indicated in Fig. B.

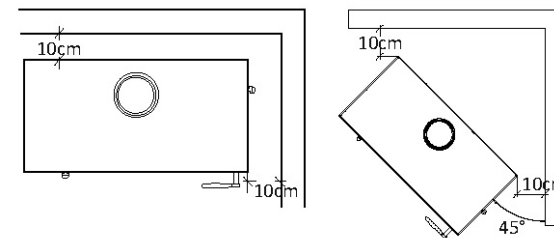


FIG.B

3. Install the stove beneath the chimney gap if possible. Take all necessary precautions when crossing through walls. Use double insulated piping if there is any risk of fire. If the material the wall is made of is not combustible, a single pipe can be used.

4. As chimney pipes must be cleaned regularly, we advise building them vertically. In certain cases, elbow joints are inevitable. Up to two 135° or one 90° elbow joint can be used, ensuring a height about six metres. Respect the interior diameter of 150 mm. (Fig. C).

5. The chimney stack should extend 1 metre above the highest point of the roof. When this is not possible and/or the roof has a slope in excess of 60°, the pipe must extend at least 1.5 metres from the point where it comes out through the roof. (Fig. D.)

6. In the case of installations in windy areas and/or when the pipe extends more than 1 metre above the roof, fit supporting cables to the pipe.

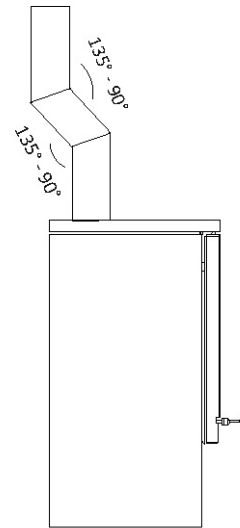


FIG. C

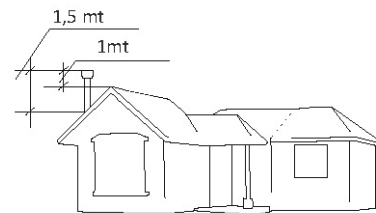


FIG. D

7. When the stove is installed on a wooden or plastic floor, use a metal or ceramic base. Ensure that the floor can withstand the weight.

8. If any work, alterations or repairs is performed in the area near the pipe or the stove after its installation, ensure that none of the items specified in the User Manual have been affected.

9. If you notice a smell of burning or overheating in the area around the stove, request a technical inspection. Note: When lighting the stove for the first times, a certain amount of smoke and odours may appear caused by the paint.

10. Ensure the no element of the house's electrical installation is affected by the heat of the stove or of the chimney pipe.

11. Build ventilation grates in the house and do not cover them by accident.

12. When cleaning the smoke connector use a metal brush. When cleaning the interior of the stove, remove the ash using a small scraper and a brush. Do not damage any of the parts inside the stove.

13. Do not use or install with shared chimneys.

Ensure the installation has been performed correctly

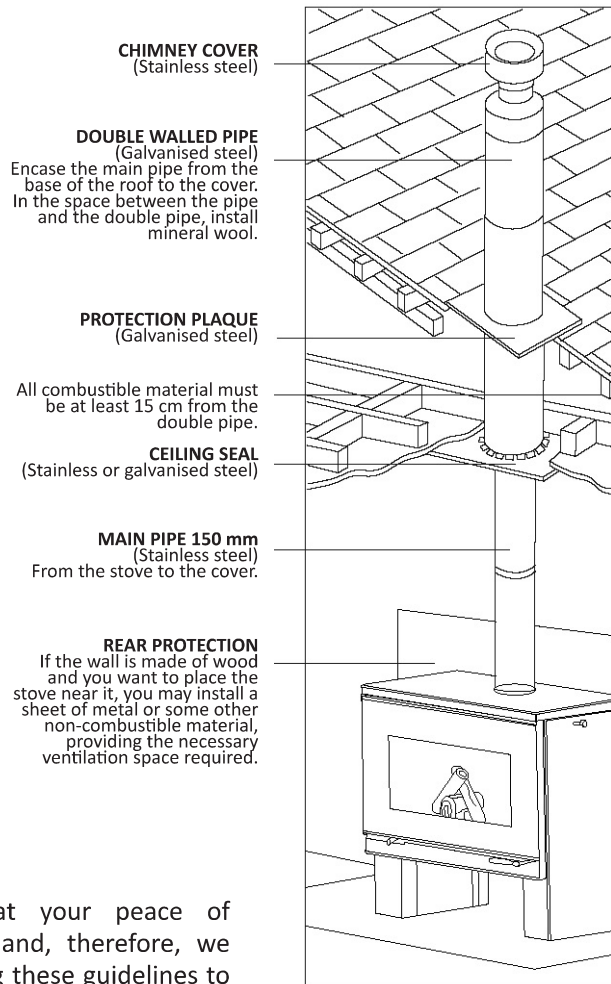


FIG. E

We are aware that your peace of mind is paramount and, therefore, we recommend following these guidelines to ensure the installation is correct (Fig. E):

3. - Operate your Hergóm Frama Stove correctly

Select the appropriate type of wood

You must understand that one of the elements that will enable you to obtain the best yield from your stove is the use of high quality fuel and, therefore, please consider the following comments on purchasing, storing and handling the wood you will be using in your stove.

- Preferably use wood from sustainable stocks, which is usually good quality wood, easy to dry and originates in controlled forestry resources.
- A relevant variable regarding the quality of wood is its level of humidity, which must not exceed 25%. This type of wood will last longer and avoid the loss of energy due to the evaporation of the water and the subsequent loss of power of your stove. Using low humidity wood will also avoid the generation of creosote (a by-product that covers the inside of the pipes of your stove) and the subsequent maintenance costs.
- Remember to purchase logs that are no longer than 30 cm and with a diameter or about 15cm. This will enable you to place the logs in the stove easily and you will not have to cut them.
- Obtaining high quality and low humidity wood is only this first step. The effort will be wasted unless you store the wood in ideal conditions by keeping it in an area that is well ventilated and where it is not exposed to rain. Never place the wood on the ground unless it is paved. If you require additional information, please contact our Commercial Department.

Know what type of wood to buy

The logs are lighter

The bark must be partly removed and resent external cracks.

There should be no white or grey colouring.

Check that the wood is dry before using it.

Place a log in the stove on top of a large amount of embers and check for the following:

Dry wood: It should start burning at more than one point in a question of minutes.

Damp wood: It turn black and takes some time to light.

Damp and/or green wood: It produces a whistling sound when it burns and turns dark. It does not produce flames but it does produce large amounts of smoke.

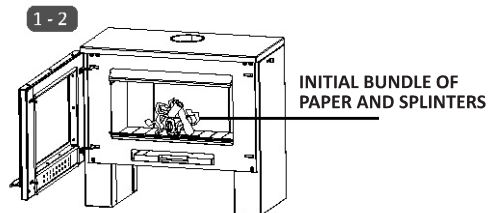
THIS TYPE OF WOOD IS NOT RECOMMENDED.

REMEMBER THAT:

DAMP WOOD CAUSES PROBLEMS WHEN LIGHTING THE STOVE, PROBLEMS WITH THE COMBUSTION AND WITH THE MAINTENANCE AND CLEANING OF THE GLASS PANE.

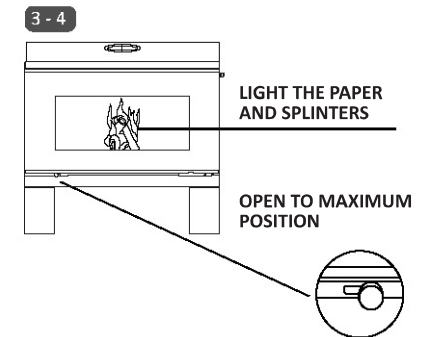
Lighting the stove

1. Place some paper in the centre of the combustion chamber.
2. Place some splinters on the paper, preferably forming a pyre.

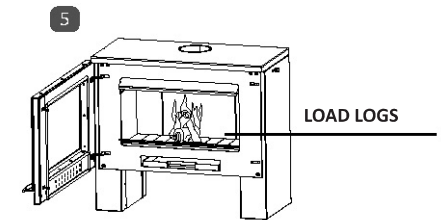


3. Light the fire and close the stove door. *The first time you light the stove, the paint may emit fumes. We recommend opening a window.

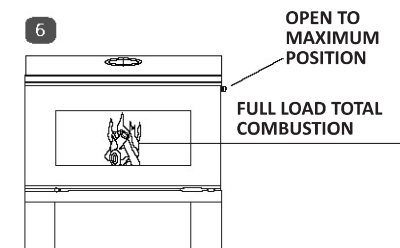
4. Move the control lever – door valve towards the right hand side to provide the maximum amount of primary air to start the combustion process and keep it there until the wood is burning.



5. Open the door and add more wood, placing the lighter logs on the burning splinters. It is important to leave spaces between the logs to allow air to flow and achieve a faster and more powerful combustion proces.



6. Close the door and keep the control- door valve at the right-hand position to allow the maximum intake of primary air. In addition, open the control- side valve completely to provide air to clean the glass pane and maintain the combustion until the logs are burning.



7. Finally, once the logs are burning, close the control-door primary air valve and regulate the combustion process using the side lever which controls the amount of air used to clean the glass pane.

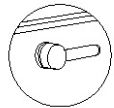
8. In order to get the maximum performance from your stove, you will need some time to become familiar with its operation. Do not expect any immediate effects on the fire when you open or close the various controls-valves. The flame will not become more or less intense as in the case of liquid or gas fires. Solid fuel, such as wood, react more slowly.

9. The stove and especially its external surfaces will be hot when it is in operation. We recommend using gloves if you have to touch it.

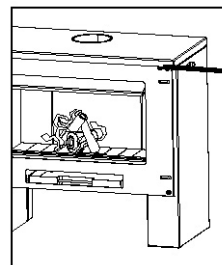
REMEMBER: When lighting the fire following these instructions, you will create an excellent base for an effective combustion process, free from smoke and pollution; achieving the optimal performance of the stove.

REMEMBER: Opening the door lever is only used when lighting the fire. However, based on your installation, you will perhaps need to open it a little during the operation of the stove.

7



DOOR VALVE AT MINIMUM POSITION



Open side valve to adjust combustion

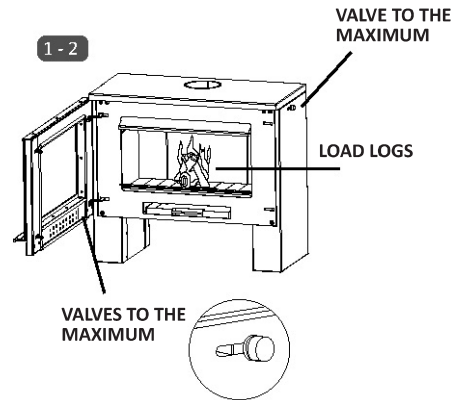
Load wood into the stove

1. Open the primary air control-valve to its full position (door lever); open the combustion control-lever to the full position (side lever) and, finally, open the stove door.

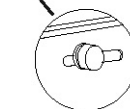
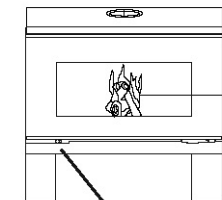
2. Place dry splinters of wood on the embers inside the stove. Remember that, as in the lighting process, it is advisable to leave gaps between the logs to allow oxygen to intensify the fire.

3. Once all the logs are burning, adjust the primary air valve to its minimum position and adjust the side valve based on the level of combustion required

REMEMBER: the best time to recharge the stove is when it still has a considerable bed of embers inside. If there are not many embers, recharge it following the initial lighting instructions.



3



VALVE AT MINIMUM POSITION

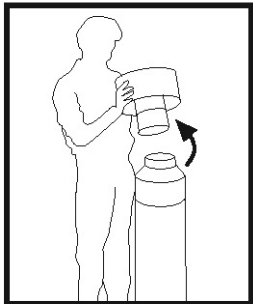
Putting out the fire in the stove

1. To put out the fire in the stove, place the Primary Air Valve on the door and the side combustion air valve at "Minimum".

4. - Trouble-shooting and correct maintenance of your Hergóm Frama stove

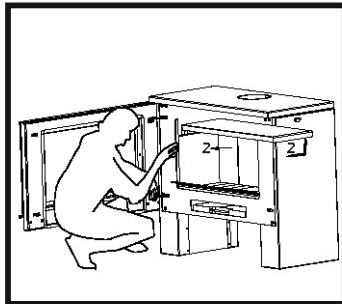
Type of maintenance required by your Hergóm Frama stove.

1. The most important aspect is cleaning pipes to remove creosote (a substance similar to tar generated by the combustion of wood) that will have adhered to the inside walls of the pipes.



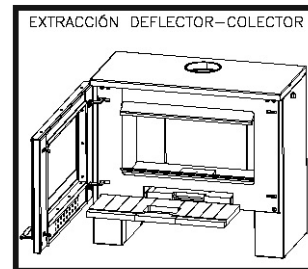
1

Unscrew the chimney cover and remove it.



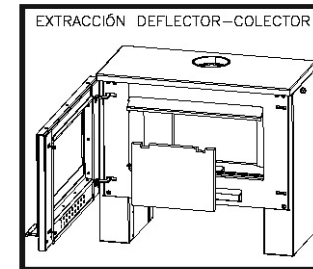
2

Remove the deflector-manifold by moving them as indicated by the arrows. You do not have to take them out of the stove.



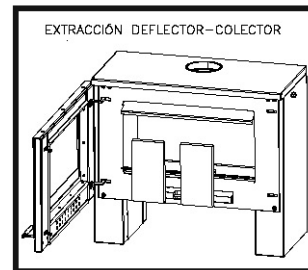
3

To remove the deflector-manifold in order to perform maintenance operations, take the following steps: First, remove all the refractory parts from the bottom of the stove.



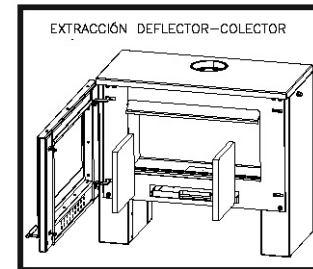
4

Second, remove the centre piece of the stove carefully.



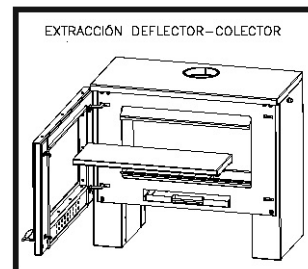
5

Third, remove the parts to the sides of the centre piece carefully. If there are no side parts, go to the next step.



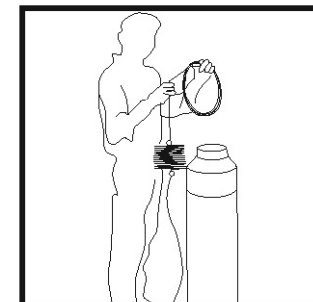
6

Fourth, remove the side parts of the stove once the bottom and rear parts of the stove have been removed. We now recommend caution.



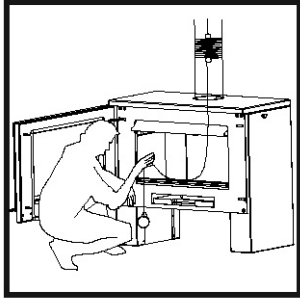
7

Fifth, remove the deflector-manifold by releasing the pins and sliding it forward, then smoothly tilt it down so as not to trap your hands.



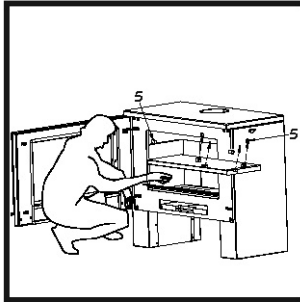
8

Slide the chimney brush down from the top of the pipe until it appears inside the stove.



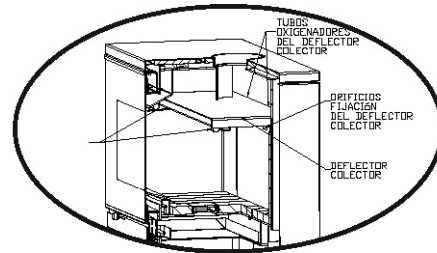
9

Pull the chord from inside the stove, dragging the brush down the inside of the pipe and then pull it up again. Repeat 6 times.



10

Re-install the deflector-manifold and ensure that all the air pipes fit in the relevant holes at the rear of the stove.



- This cleaning operation should be performed by trained personnel and its frequency is directly related to the intensity with which the stove is used.

- Keeping the chimney pipes clean will benefit the correct operation of the stove and prevent any possible internal combustion that may be dangerous.

2. Regularly empty the ash pan and any ash caused by the combustion process. However, for the correct operation of the stove, it is important to keep a sufficient bed of ash inside the stove as this will facilitate the accumulation of embers and make the re-charging process easier.

3. One of the most attractive features of the Hergóm Frama Range Stove is that the fire is visible. However, the view may be limited at times by stains on the glass pane. We recommend you follow the advice indicated below to keep the glass pane clean:

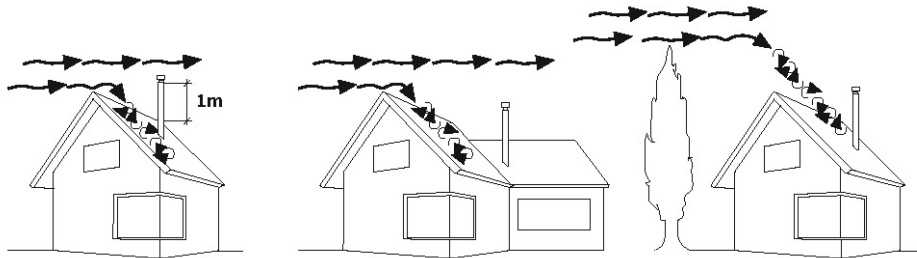
- The main cause of the stains on the glass pane is directly linked to the use of damp wood and to keeping the side air control-lever at the “Minimum” position. Avoid both of these situations happening simultaneously. Remember to purchase dry wood and to store it correctly and keep the side valve at an intermediate or minimum position.

- Clear the glass pane regularly using Hergóm glass cleaner. This product can be obtained from our network of agents. If you need more information, please consult our Commercial Department.

Why is smoke coming out of my stove?

Please take into account that one of the most difficult aspects regarding any stove is to prevent it from releasing smoke. In order to reduce this problem, please note the following:

1. The correct height of the installation is important. The chimney cover must be at least 1 metre above the highest part of the roof.

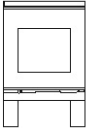
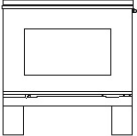
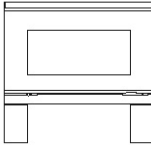


a) When wind encounters an obstacle, turbulence is created that may increase the pressure and cause the smoke to flow back down the chimney. To solve this situation, increase the length of the chimney pipe until it exceeds the turbulence area.

2. Re-charge your stove correctly, following the instructions indicated on page 26.

3. Always keep the chimney pipe clean, in accordance with the recommendations indicated on page 27.

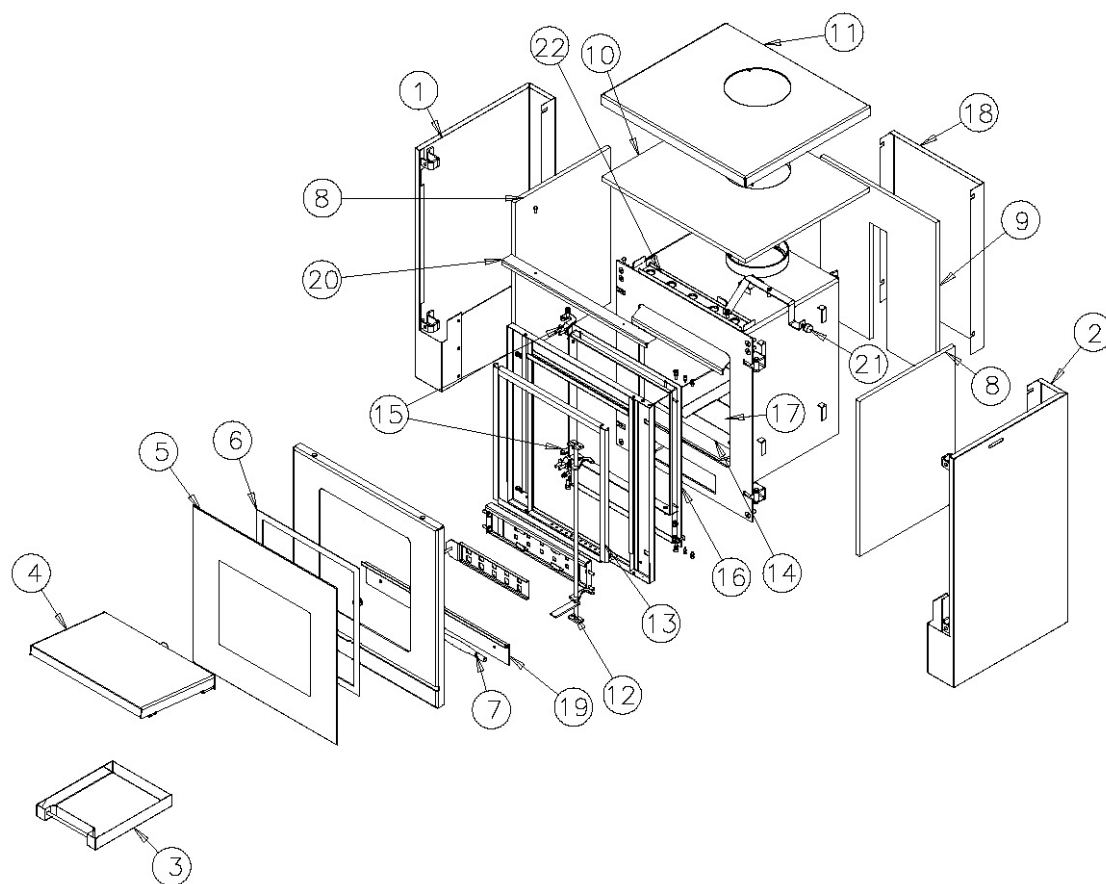
TECHNICAL SPECIFICATIONS

Frama Series	Product	Color	Heat power (kcal/h)	kW	Dimensions					Interior combustion chamber dimensions			Stove capacity m3	EPA Standard	
					Diameter mm	Width mm	Height mm	Depth mm	Weight Kg	Front mm	Depth mm	Height mm		Maximum Mass kg	Max. length of log mm
	Frama S	Black	6.500	7,5	152	514	740	448	86	350	310	300	0,03	3,57	290
	Frama M	Black	8.600	10	152	750	740	447	127	530	300	300	0,05	5,31	440
	Frama L	Black	10.300	12,5	152	900	800	447	151	650	310	290	0,06	6,37	540

Product	Specifications								
	Vermiculite	Refractory bricks	Ash pan	Self-cleaning system	Efficiency	Flow g/s	CO 13%O2 vol%	Concentration of particles	Smoke temperature
Frama S	●	●	●	●	75%	7,6	0,06	52 mgr/m3N	308 C°
Frama M	●	●	●	●	75%	10,1	0,08	60 mgr/m3N	306 C°
Frama L	●	●	●	●	75%	12,5	0,10	68 mgr/m3N	304 C°

Stove components

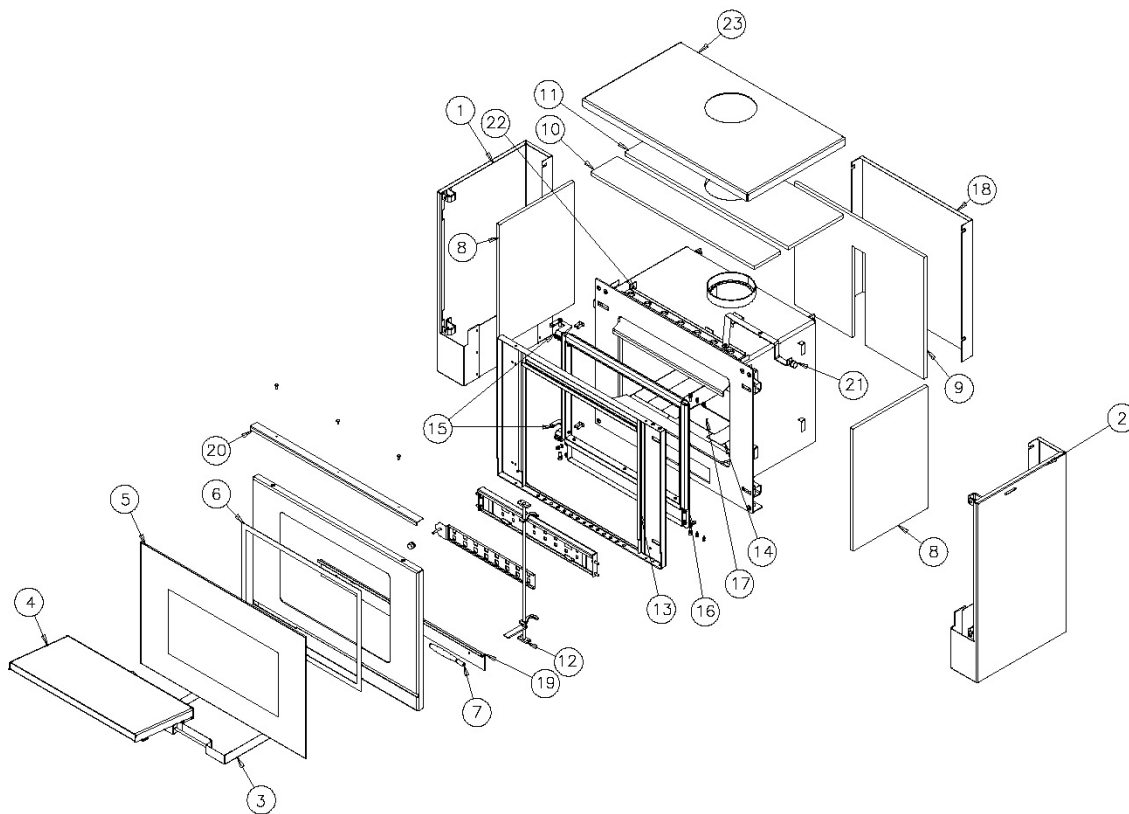
FRAMA S



1	LEFT SIDE PANEL
2	RIGHT SIDE PANEL
3	ASH PAN
4	DEFLECTOR-MANIFOLD
5	SILK-SCREENED GLASS
6	DOOR GASKET
7	STAINLESS STEEL HANDLE
8	SIDE CERAMIC FIBRE
9	REAR CERAMIC FIBRE
10	TOP CERAMIC FIBRE
11	COVER SYSTEM
12	DOOR PIN SYSTEM
13	DOOR SEALS
14	VERMICULITE PARTS
15	DOOR HINGE
16	FRONT GASKET
17	GRATE
18	REAR PANEL
19	LOWER ANGLE GASKET
20	UPPER ANGLE GASKET
21	DOOR/PANEL SLIDE HANDLE
22	VALVE-COMBUSTION SYSTEM

Stove components

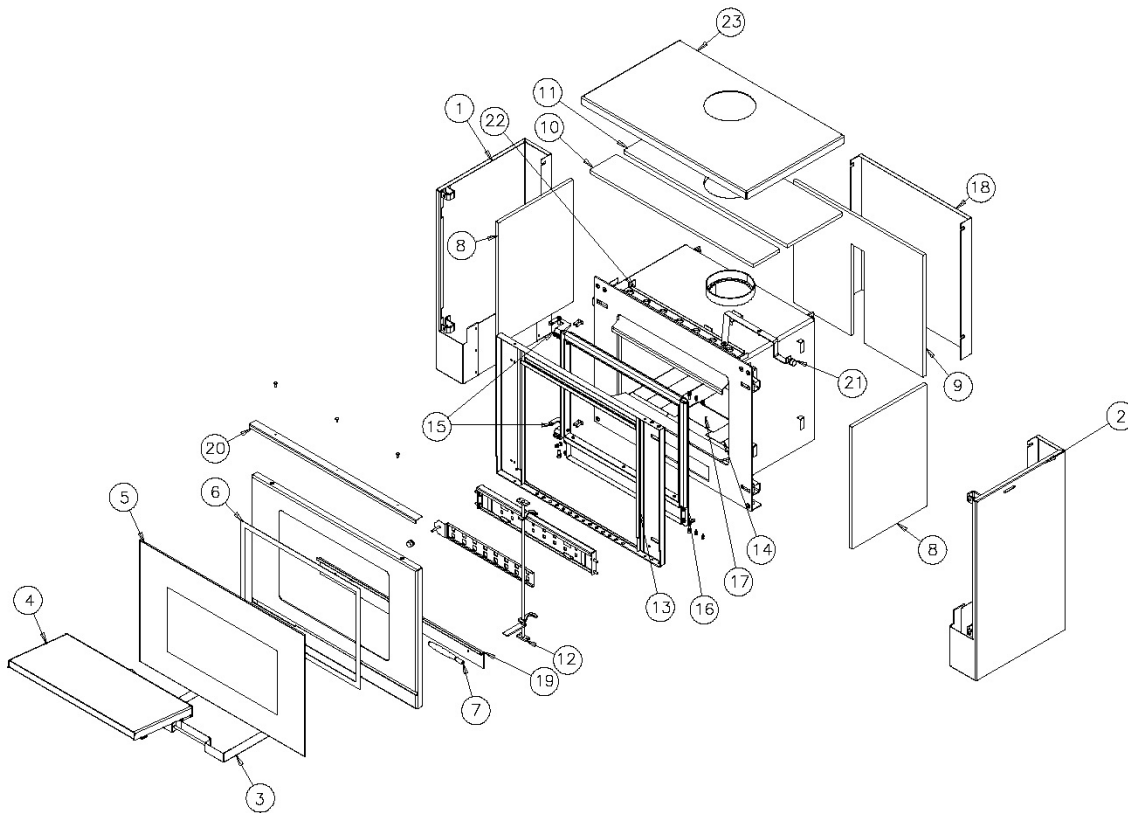
FRAMA M



1	LEFT SIDE PANEL
2	RIGHT SIDE PANEL
3	ASH PAN
4	DEFLECTOR-MANIFOLD
5	SILK-SCREENED GLASS
6	DOOR GASKET
7	STAINLESS STEEL HANDLE
8	SIDE CERAMIC FIBRE
9	REAR CERAMIC FIBRE
10	TOP CERAMIC FIBRE – SMALL SECTION
11	TOP CERAMIC FIBRE – LARGE SECTION
12	DOOR PIN SYSTEM
13	DOOR SEALS
14	VERMICULITE PARTS
15	DOOR HINGE
16	FRONT GASKET
17	GRATE
18	REAR PANEL
19	LOWER ANGLE GASKET
20	UPPER ANGLE GASKET
21	DOOR/PANEL SLIDE HANDLE
22	VALVE-COMBUSTION SYSTEM
23	COVER SYSTEM

Stove components

FRAMA L



1	LEFT SIDE PANEL
2	RIGHT SIDE PANEL
3	ASH PAN
4	DEFLECTOR-MANIFOLD
5	SILK-SCREENED GLASS
6	DOOR GASKET
7	STAINLESS STEEL HANDLE
8	SIDE CERAMIC FIBRE
9	REAR CERAMIC FIBRE
10	TOP CERAMIC FIBRE – SMALL SECTION
11	TOP CERAMIC FIBRE – LARGE SECTION
12	DOOR PIN SYSTEM
13	DOOR SEALS
14	VERMICULITE PARTS
15	DOOR HINGE
16	FRONT GASKET
17	GRATE
18	REAR PANEL
19	LOWER ANGLE GASKET
20	UPPER ANGLE GASKET
21	DOOR/PANEL SLIDE HANDLE
22	VALVE-COMBUSTION SYSTEM
23	COVER SYSTEM

IMPORTANT INFORMATION

Your Hergóm Frama Stove has an identification number stamped on a plaque attached to the back of the appliance. No other Hergóm Frama Stove of a similar model will have the same serial number. You may be asked to provide this number if you require any type of service.

Model:

Serial number:

Date of purchase:

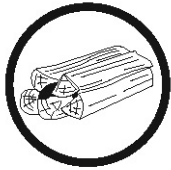
Dealer:

The warranty will come into force the moment we receive the fully completed card, included in this manual, within 30 days of the date of purchase. If you should have any query, please contact our Technical Department before installing the product. Do not forget that the life of the product depends on the correct installation of the appliance.

RECOMMENDATIONS

- Use a fire extinguisher if the stove should catch fire.
- Only use spare parts recommended by the manufacturer.
- The appliance has been designed for intermittent combustion cycles.
- Hergóm may not be held liable for any unauthorized/unapproved alteration of the appliance.

PRECAUTIONS



The stoves have been designed to use wood as the only type of fuel. The use of any other type of fuel will damage your stove and void the warranty.



Inspect the pipes regularly and clean them if necessary. The accumulation of creosote can result in fire breaking out inside the pipes.



Keep any flammable item away from the stove (furniture, curtains, paper, plastic...)



Do not place clothes or other flammable materials on the stove.



Do not burn large amounts of paper or other materials that may cause a brusque increase in the speed and temperature of the combustion process. Do not use the appliance as an incinerator.



The combustion chamber must remain closed once the stove has been lit.



The stoves must be installed appropriately to prevent possible accidents. Strictly adhere to the installation instructions indicated in this Manual.



Never use gasoline, paraffin or other flammable fuels to start the fire. Do not store gasoline or other flammable fuels near the stove.



Seek advice from experts before altering the installation of your stove.



If nearby elements or items that are in contact with the stove start to emit smoke/fumes, it is because they are too hot. Do not add further fuel, make sure the stove is closed correctly, fully close the air valve and call the emergency services.

