



MAX BLANK
HIGH QUALITY

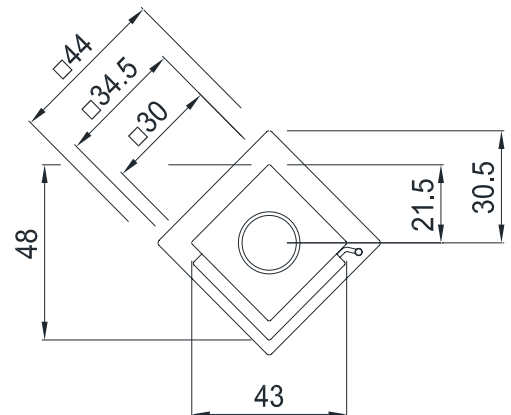
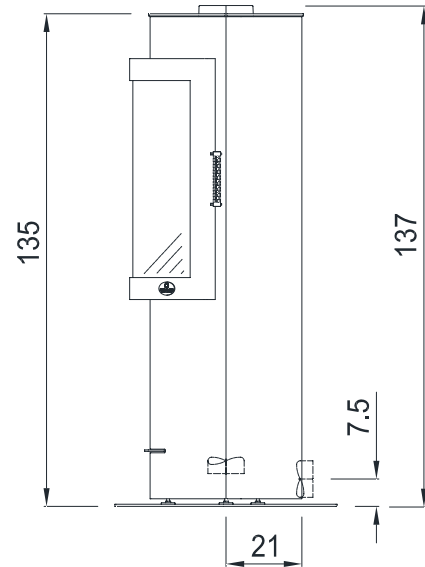
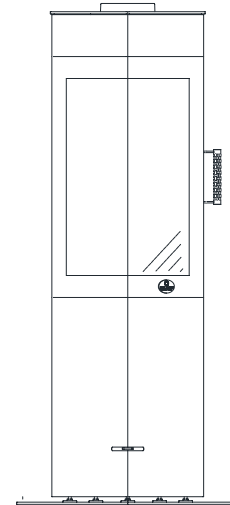
ERFURT

**wood or pellet
without electricity**

NEW

Technical specifications of the small two-sided vertical stove:

measurements (cm)	width	height	depth
stove	30	135	30
combustion chamber	25,5	52	25,5
fire glass	34	54	
fire door	42	66	
flue pipe connection Ø 15 to ↑ height to pipe socket above			137
outside air connection Ø 10 to → or ↓ height to mid connection horizontal			7,5
depth to mid connection vertical			21
total weight	chamotte bricks	heat accumulator	
120 kg	14 kg	-	
data for	pellet box	wood	
nominal heat output	7,2 kW	5,9 / 7,2 kW	
output range	5,4 kW	5,8 - 3 kW	
efficiency	91%	78 / 80%	
heating capability*	50 - 150 m ³	50 - 150 m ³	
amount of fuel	2,1 kg	1,9 / 2,3 kg / h	
fire duration	up to 1,5 h	up to 1,5 h	
heat release	up to 2 h	up to 2 h	
flue gas flow volume	5,29 g/s	8,92 / 8,81 g/s	
exhaust °C (nozzle)	217 °C	220 / 248 °C	
min/max feed press.	12 / 15 Pa	12 / 15 Pa	
CO (13%/O ₂) [mg/m ³]	540,3	1202,1 / 1062,8	
CO (13%/O ₂) [%]	0,043	0,096 / 0,085	
dust (13%/O ₂) [mg/m ³]	22,1	35,2 / 28,8	
NO _x (13%/O ₂) [mg/m ³]	75,2	93,3 / 107,1	
C _x H _y (13%/O ₂) [mg/m ³]	25,9	86,7 / 71,0	
wall distance, rear	50 cm	50 cm	
at 4 cm Promat-Iso.	21 cm	21 cm	
wall distance, side	50 cm	50 cm	
at 4 cm Promat-Iso.	21 cm	21 cm	
distance to the front	80 cm	80 cm	



The Erfurt, excellent in quality, energy consumption and environmental performance!

Fulfills the latest standards in burning wood, wood-briquettes and pellets (please see applicable standards).

Please check the instruction manual for this wood & pellet burning stove.

Suitable for multiple chimneys.

* depending on stove location in the living area, room isolation, height of the room and amount of fuel

Subject to alterations; errors including printer's errors.

Our specialised stove builders and retailers will assist you with practical advice.

Two-sided, vertical stove, model Erfurt

ENR	model	delivery time	
240-2001	Erfurt ↑ combi stove <ul style="list-style-type: none"> • wood only (without pellet accessories) • stove body and door in steel anthracite • steel lid anthracite • fire chamber rear wall made of 3 cm heat-storing chamotte • self-locking door with cool design handle 	3	
pellet accessories for the two-sided, vertical stove			
559-2001	pellet box with 7,2 kW (at stove purchase) pellet box with 7,2 kW (retrofit kit) <ul style="list-style-type: none"> • made of heat-resistant stainless steel • with lighter, silicone gloves, pellet-felt bag up to 20 kg, cleaning brushes, pellet shovel provided 		
accessories for the small two-sided stove			
29 239 300 29 240 400	floor protector stainless steel (see accessories) floor protector glass (see accessories) especially for this stove type Outside air connection is prepared: Be sure to specify when ordering: outside air connection horizontal or vertical (is included in scope of delivery) For other connection accessories, please see list of accessories.		
special features of the small two-sided stove Erfurt			
<p>The model Erfurt offers an easy to use two-in-one system with two different fuels. Heat without electrical power and use all advantages of this double feature oven: pellet AND wood! Swap easy and comfortable between fuels within 5 minute. Discover the special features of our fire-combo-romantic on YouTube! Free to choose fuel makes you more independent! Get whatever is cheapest at the moment and save money. The two sided vertical stove, model Erfurt</p> <ul style="list-style-type: none"> • space-saving and yet powerful • due to its slim figure, the Erfurt fits in almost every corner • the two sided glass window offers a broad and direct view to the fire • even from the side, the Erfurt offers very interesting views • pellet accessories are available as an optional choice • pellet fire is just as diverse and romantic as fire from logs • radiant heat is a beautiful and very pleasant heat • Independent from changing prices: one can swap from pellet to log fire within 5 minutes • The ash container needs cleaning only once or twice per season (for pellet use only) • more special features and extras at the last pages • choose your stainless steel or glass floor protector from the list of accessories, ...easy to remove during summer times 			